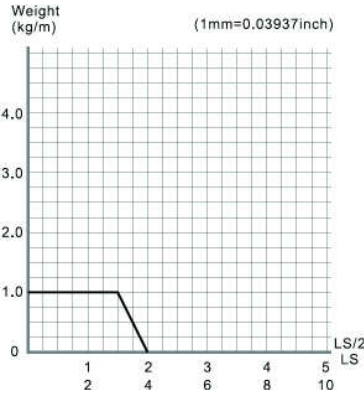
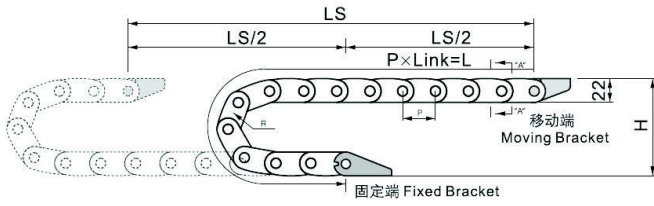


# K1500 series Installation Dimensions & Tech Data

## Length calculation

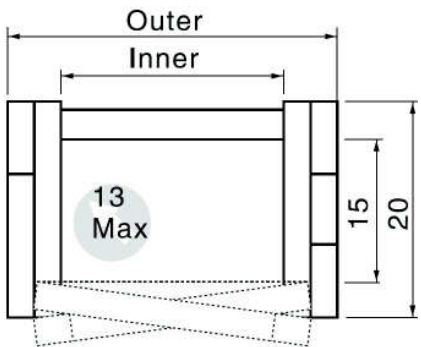


$$L = \frac{LS}{2} + \pi \times R + 88$$

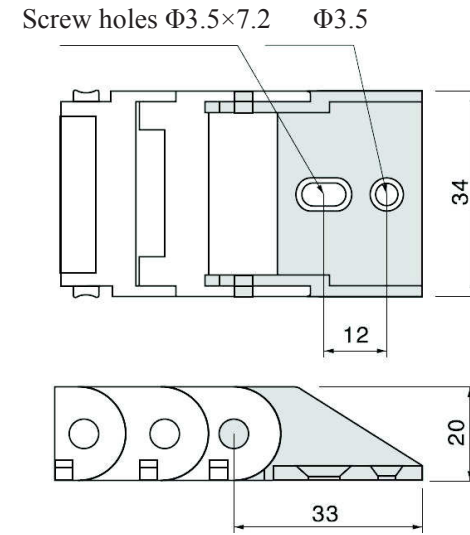
L: Length  
 R: bending Radius  
 H: Installation Height  
 P: Pitch  
 88: Safety Length

K10 series Can open by inner side

Type	Inner width (mm)	Outer width (mm)	Bending radius(mm)	Pitch (mm)	Weight (kg)
1500.020. □.0	20	30	28	22	0.28
1500.030. □.0	30	40	28	22	0.32
1500.040. □.0	40	50	28	22	0.40



## Fixed bracket



## Moving bracket

