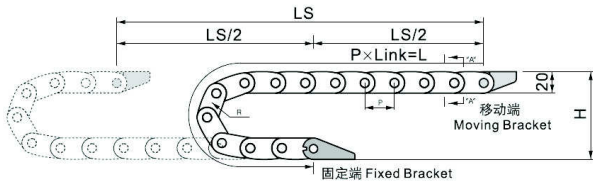


K1000 series Installation Dimensions & Tech Data

Length calculation

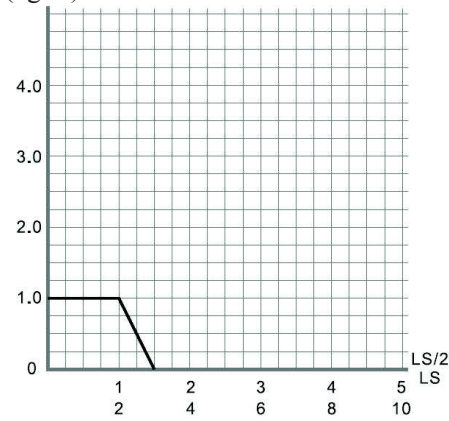


$$L = \frac{LS}{2} + \pi \times R + 80$$

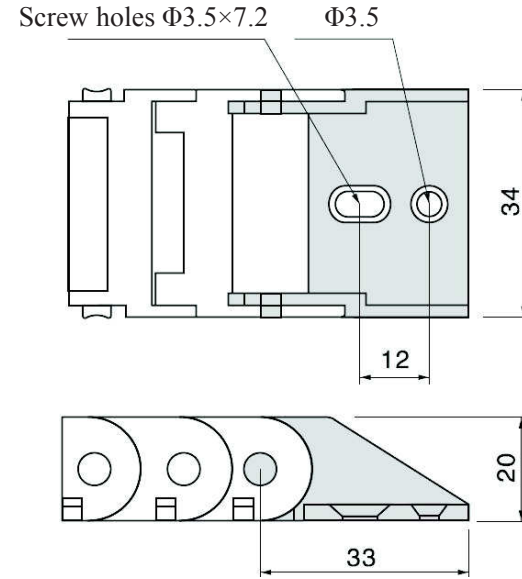
- L: Length
- R: bending Radius
- H: Installation Height
- P: Pitch
- 80: Safety Length

Weight (kg/m)

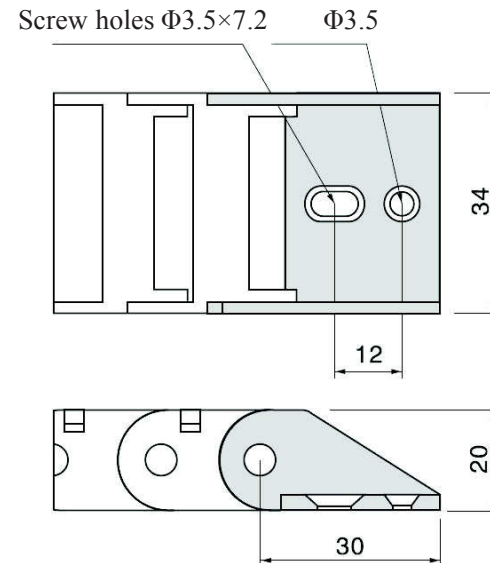
1mm=0.03937inch



Fixed bracket



Moving bracket



K10 series Can open by inner side

Type	Inner width (mm)	Outer width (mm)	Bending radius(mm)	Pitch (mm)	Weight (kg)
1000.010.□.0	10	18	28	20	0.15
1000.015.□.0	15	24	28	20	0.16
1000.020.□.0	20	28	28	20	0.18

