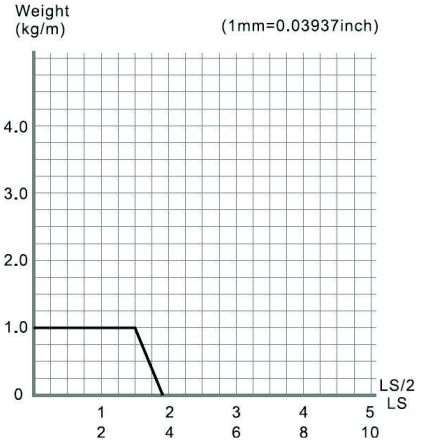
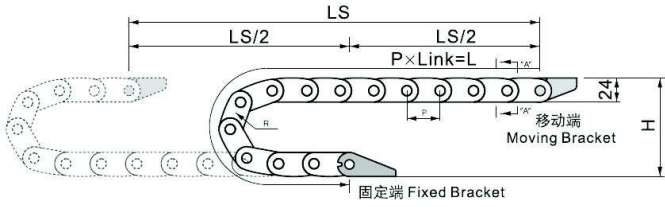


# K1800 series Installation Dimensions & Tech Data

## Length calculation

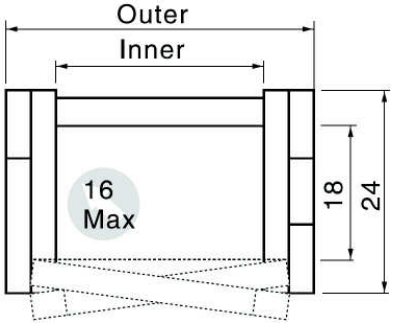


$$L = \frac{LS}{2} + \pi \times R + 132$$

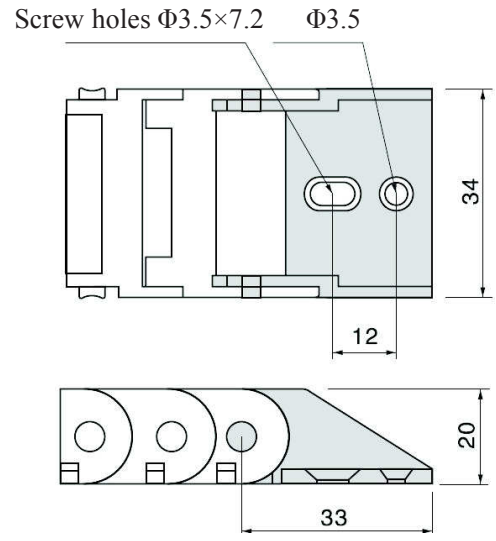
L: Length  
 R: bending Radius  
 H: Installation Height  
 P: Pitch  
 132: Safety Length

K18 series can be open by inner side

Type	Inner width (mm)	Outer width (mm)	Bending radius(mm)	Pitch (mm)	Weight (kg)
1800.018.□.0	18	28	38	34	0.32
1800.025.□.0	25	35	38	34	0.34
1800.037.□.0	37	47	38	34	0.40
1800.050.□.0	50	60	38	34	0.50



## Fixed bracket



## Moving bracket

